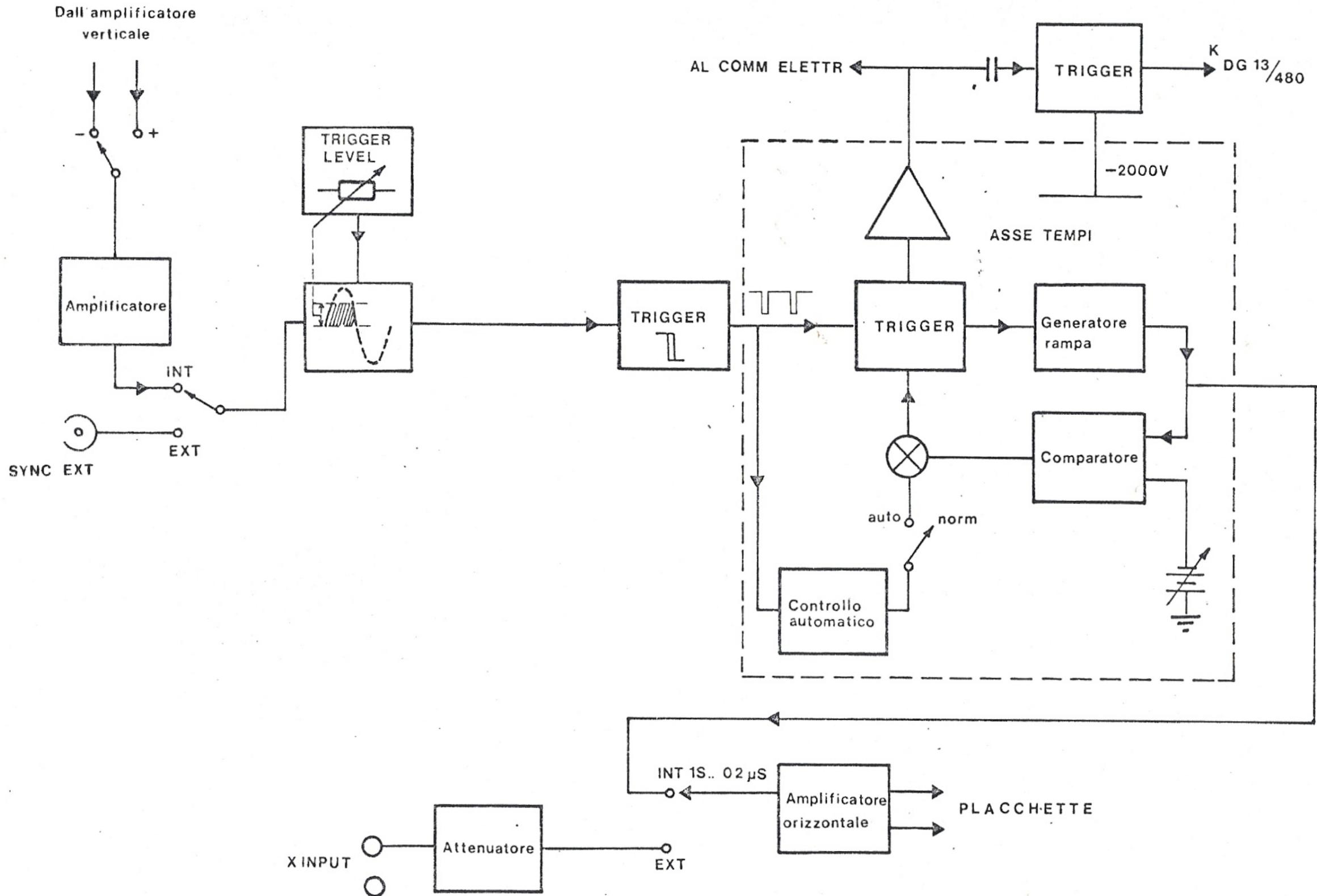
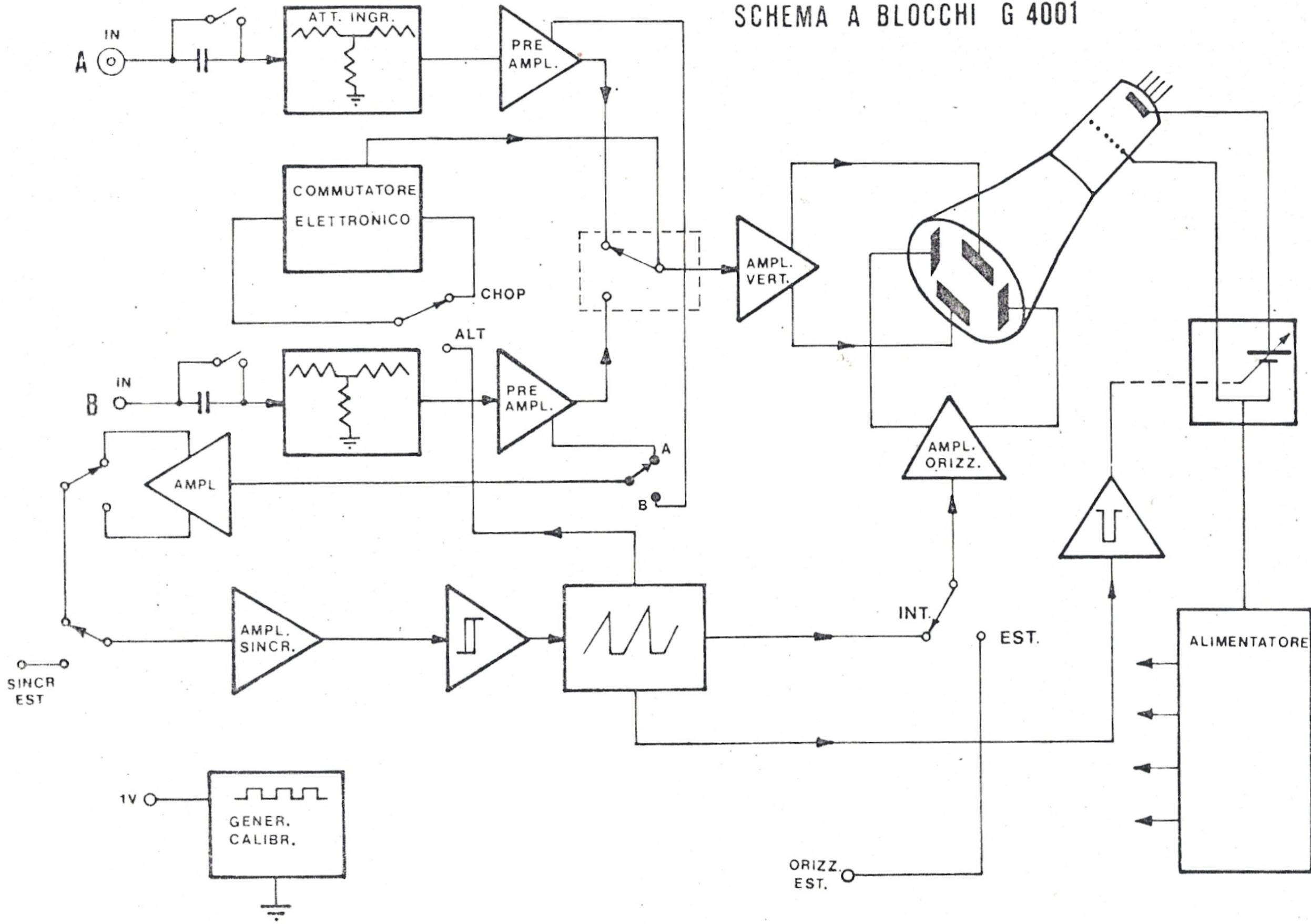


schema a blocchi ASSE TEMPI e TRIGGER G4001

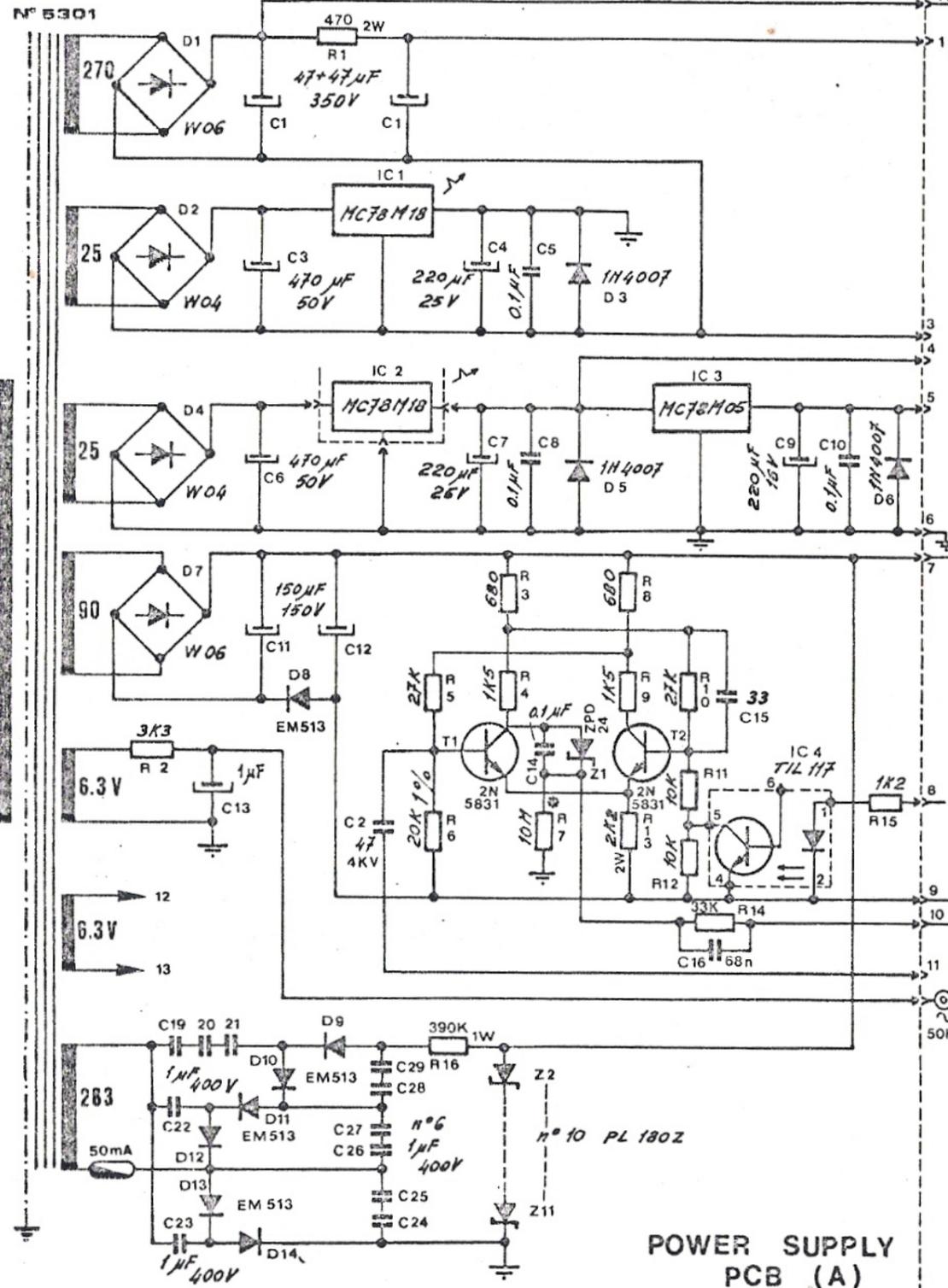


SCHEMA A BLOCCHI G 4001

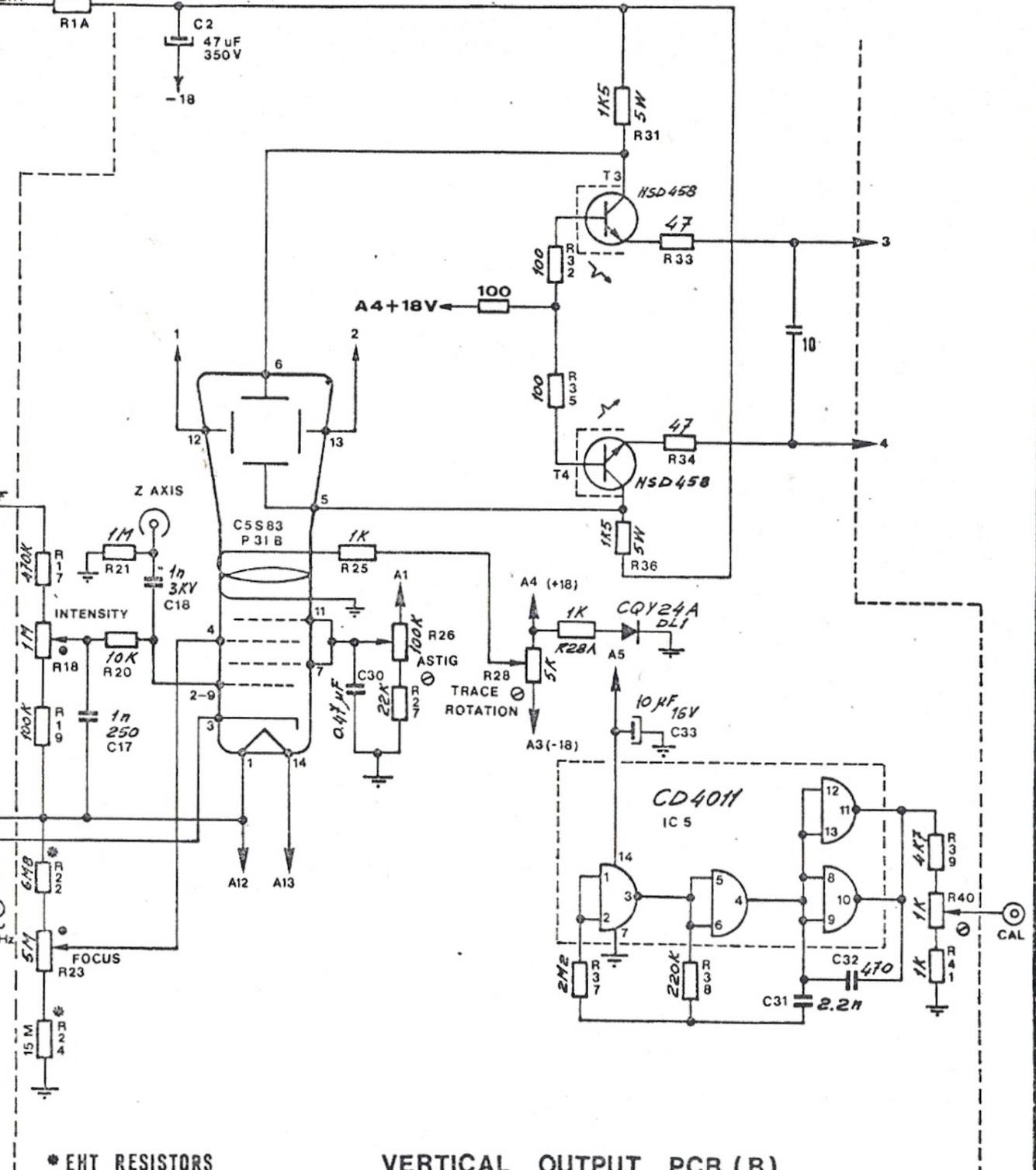


OSCILLOSCOPE G 4001 B

N° 5301



POWER SUPPLY PCB (A)



VERTICAL OUTPUT PCB (B)

* EHT RESISTORS

